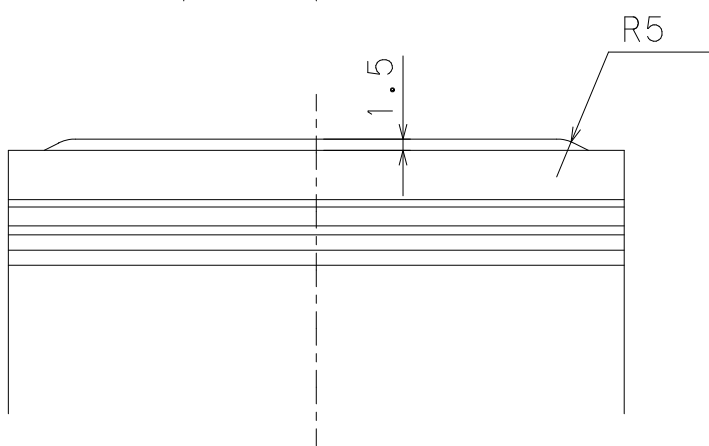
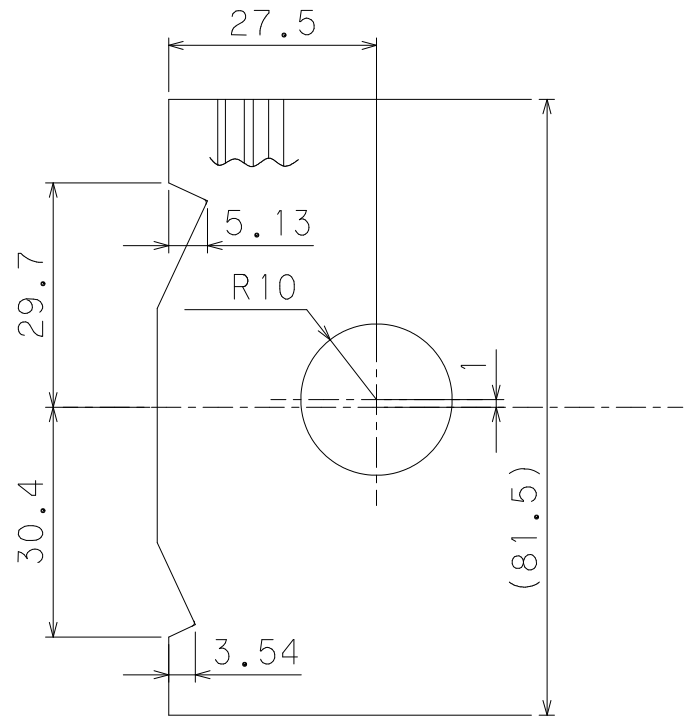
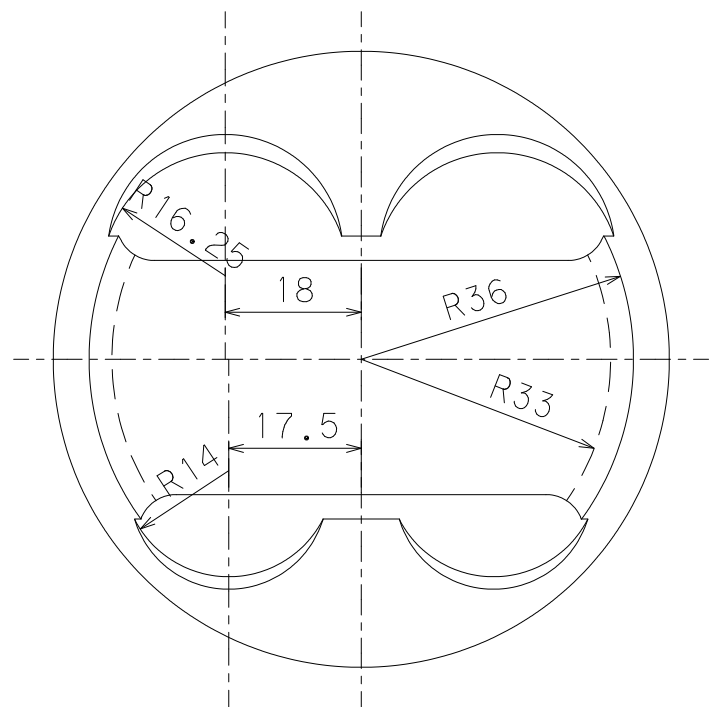


Intake



1mm wrist pin offset to intake side

Copy right FRS Yokohama Japan

Name	4AG Stroker(5AG)
Author	FRS
Note	